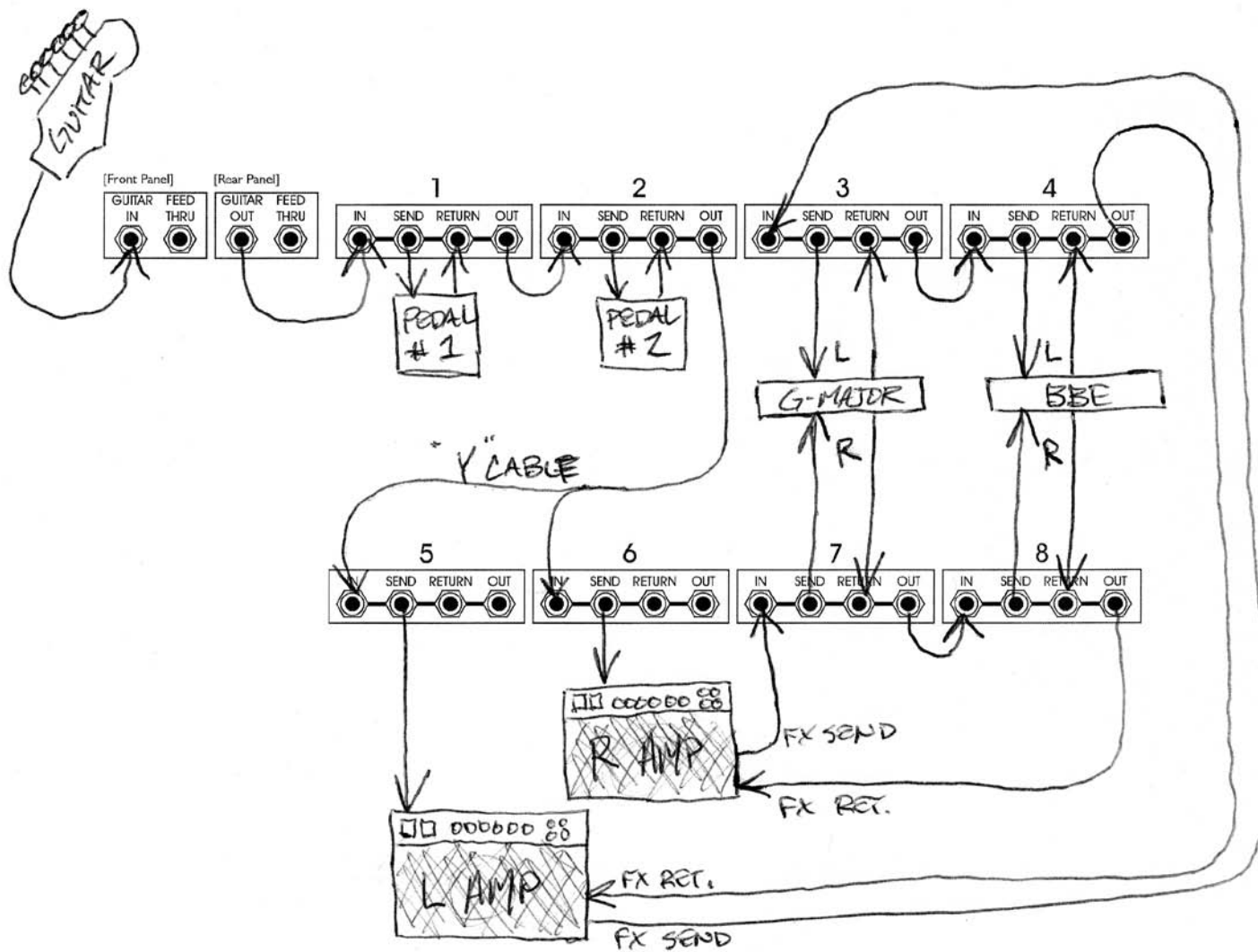


VOODOO LAB

GCX Worksheet

Mono, Mono, Stereo

This setup has two pedals placed before two identical amps using a y-cable.
Also note the stereo effects running in dual mono so each amp gets its own discreet side.



Functions:

- | | |
|-----------------------------------|--------------------------------------|
| Loop #1 <u>PEDAL #1 ON/OFF</u> | Loop #5 <u>L AMP (PREAMP) ON/OFF</u> |
| Loop #2 <u>PEDAL #2 ON/OFF</u> | Loop #6 <u>R AMP (PREAMP) ON/OFF</u> |
| Loop #3 <u>G-MAJOR (L) ON/OFF</u> | Loop #7 <u>G-MAJOR (R) ON/OFF</u> |
| Loop #4 <u>BBE (L) ON/OFF</u> | Loop #8 <u>BBE (R) ON/OFF</u> |